

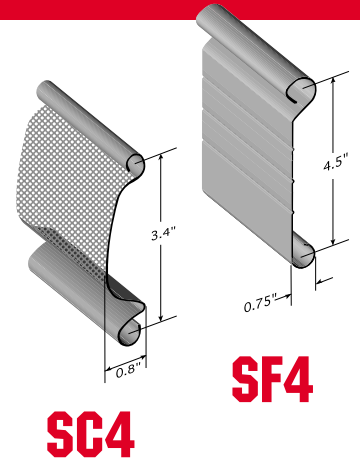


# ROLLING SECURITY DOORS MODEL 200



## HIGHLIGHTS

- Economically priced
- Torsion spring counterbalance
- 3" steel angle guides
- 22 gauge galvanized steel curtain
- Double steel angle bottom bar
- Easily serviced



## SPECIFICATIONS

**Furnish** Rolling Service Doors, series 200 as manufactured by "ADT" complete with curtain, hood, guides, counterbalance and options as specified.

### OPERATION

- manual lift
- chain hoist using gear reduction and galvanized hand chain
- internal or external industrial motors
- hand crank using gear reduction and removable hand crank

**CURTAIN** consists of interlocking slats cold rolled formed from galvanized steel curved profile (SC4) or flat profile (SF4). Slats are designed to withstand windloads of 20 psf. Slat thickness shall be calculated with U.S. gauging with a minimum of 22ga. for all doors. Steel slats are to be galvanized as per A.S.T.M. A653. Each curtain shall receive a bottom bar to maintain slat alignment and posture.

**BOTTOM BAR** shall consist of two steel shop primed angles a minimum 1/8" thick.

**SPRING COUNTERBALANCE** is to be housed in a steel pipe of the appropriate diameter and wall thickness as to support curtain. Deflection shall be limited to a maximum of .03" per ft. of door width. Springs are to consist of helical torsion type designed to meet a 25% safety load factor. Safety factor allows for safe operation, ease of use, and longer spring life. Springs are to be grease packed and anchored, using a cast iron anchor, to a cold rolled steel inner shaft. Spring tension shall be fully adjustable from outside of end bracket plate. To insure smooth operation end bracket plates shall contain sealed ball bearings to minimize wear of pipe shaft.

**END BRACKET** plates shall consist of steel plate no less than 3/16" thick. Bracket plates are to house pipe shaft and counterbalance assembly. Shaft is attached to plate by sealed ball bearings fitted onto plate.

**GUIDES** shall consist of factory painted structural steel angles a minimum of 3" wide and 3/16" thick. Guides will bolt together and feature a removable door stop. The guide depth shall be of a length adequate to provide for proper slat penetration and specified windloading.

**HOODS** shall consist of a minimum of #24 gauge hot dipped galvanized steel with a baked on grey or bronze polyester enamel coating. Hoods are designed to protect and house counterbalance assembly. To prevent hood sag intermediate supports shall be furnished as required.

**LOCKING** for manual and chain operated doors to be hasps mounted on guides with provisions for locking pins and padlocks. Gearing within motors to be self locking.

**FINISH** all non-galvanized surfaces shall receive a shop coat of rust inhibiting primer. Field painting not included in this section.

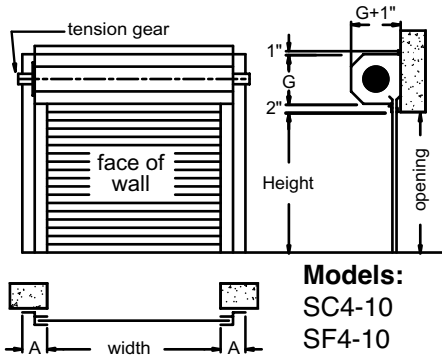
**INSTALLATION** to be by ADT or by an authorized dealer.

### OPTIONS

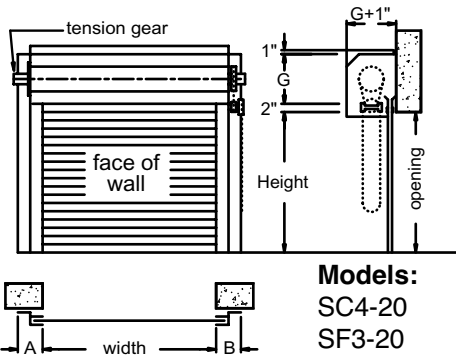
- Poly-cote® polyester powder coating, 200 select colors •
- Weatherseal package •
- High cycle springs • Sloping bottom bar • Pass door •
- Grille section • Perforated slat section • Acrylic vision lites •
- Security Panels • Mail Slot •
- Safety edge • Remote Control • Timer to close • Electric interlocks •
- XT2000 motor operator package •
- Millenium remote package •

# CLEARANCE DETAILS 200 SERIES

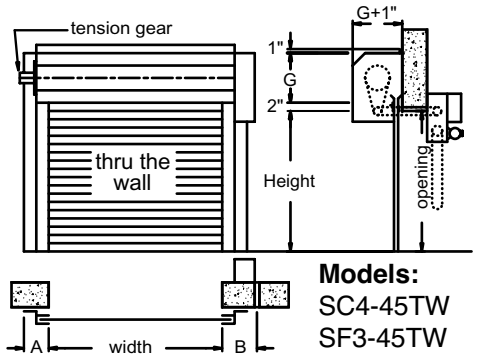
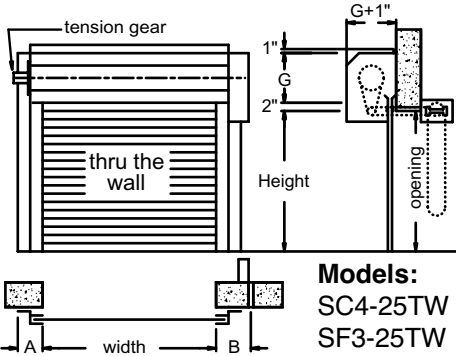
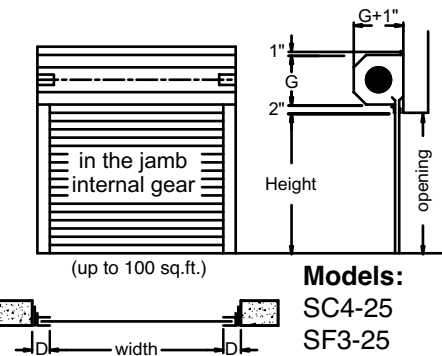
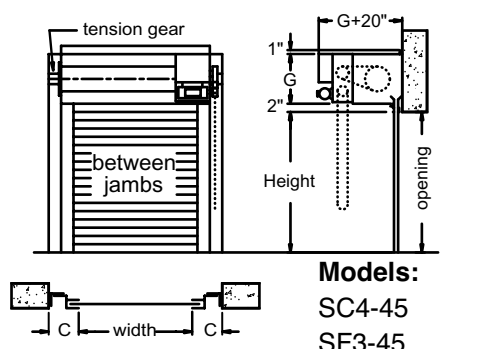
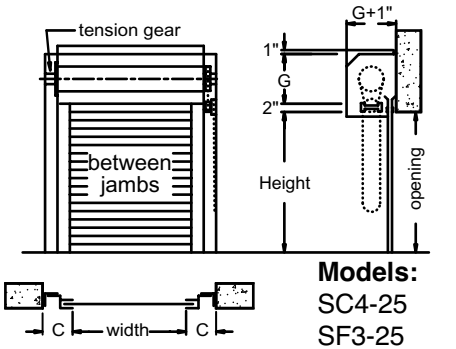
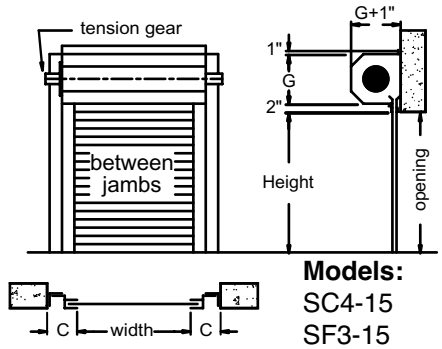
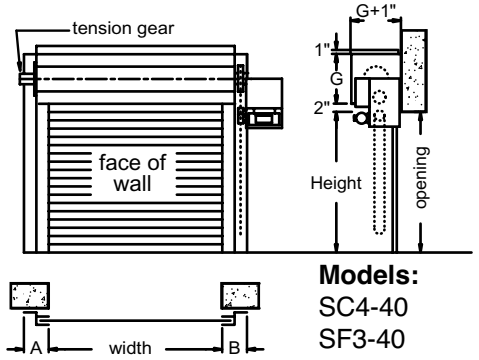
## MANUAL OPERATION



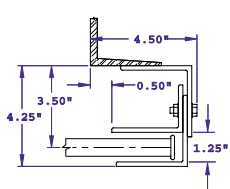
## CHAIN OPERATION



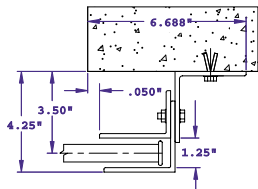
## MOTOR OPERATION



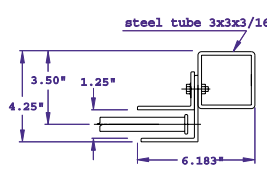
## E-MOUNT



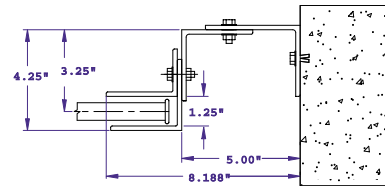
## Z-MOUNT



## TUBE MOUNT



## BETWEEN THE JAMBS (CHAIN/MOTOR OPERATION)



For fastening to steel using machine bolts or welding

For fastening to masonry using expansion bolts or through the wall threaded rod (if required.) 4" guides on spans over 22'4" or with windlocks. Where clearances are critical, dimensions may be reduced. Refer inquiries to our Engineering Department.

HEIGHT	G
up to 6'6"	15"
6'6" up to 10'0"	16"
10'0" up to 12'0"	17"
12'0" up to 14'6"	18"
over 14'6"	C F

WIDTH	A	B	C	D
to 22'4"	6.75"	9.25"	8.25"	3.375"
over 22'4"	consult factory			

## CURTAIN FINISH

GS Galvanized steel

**ADVANCED DOOR TECHNOLOGY**  
34 N. Crystal Street, East Stroudsburg PA 18301  
(570) 421-5929  
<http://www.adtdoor.com>