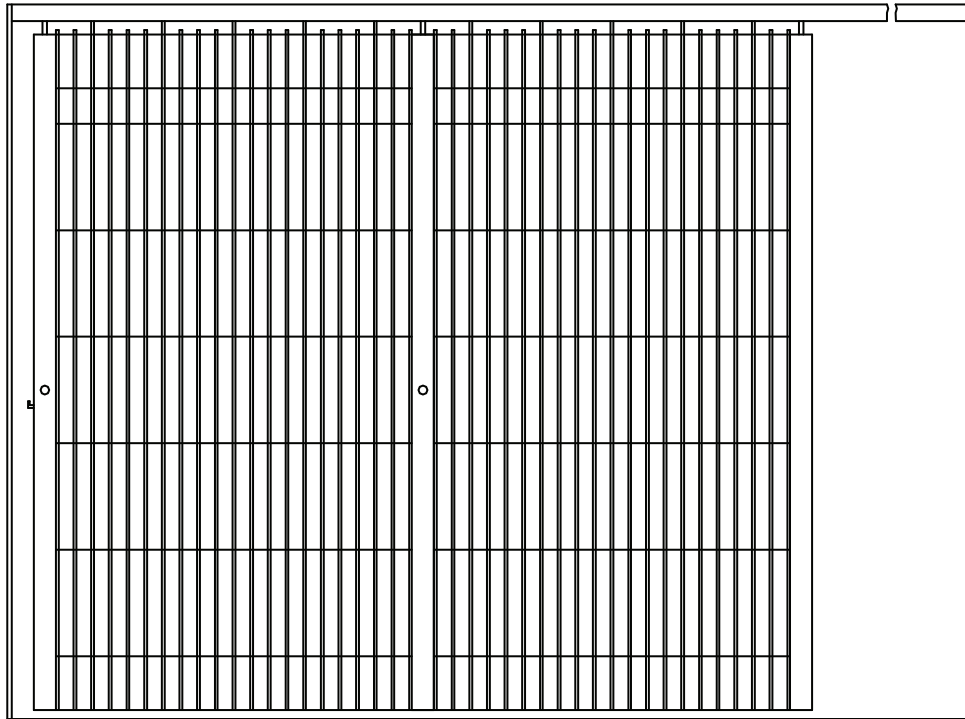




Advanced Door Technologies
34 North Crystal Street
East Stroudsburg, PA 18301
(570) 421-5929

SIDE FOLDING ALUMINUM GRILLE

Model 850 - ALUMI-CLASSIC - Open Rod Grille

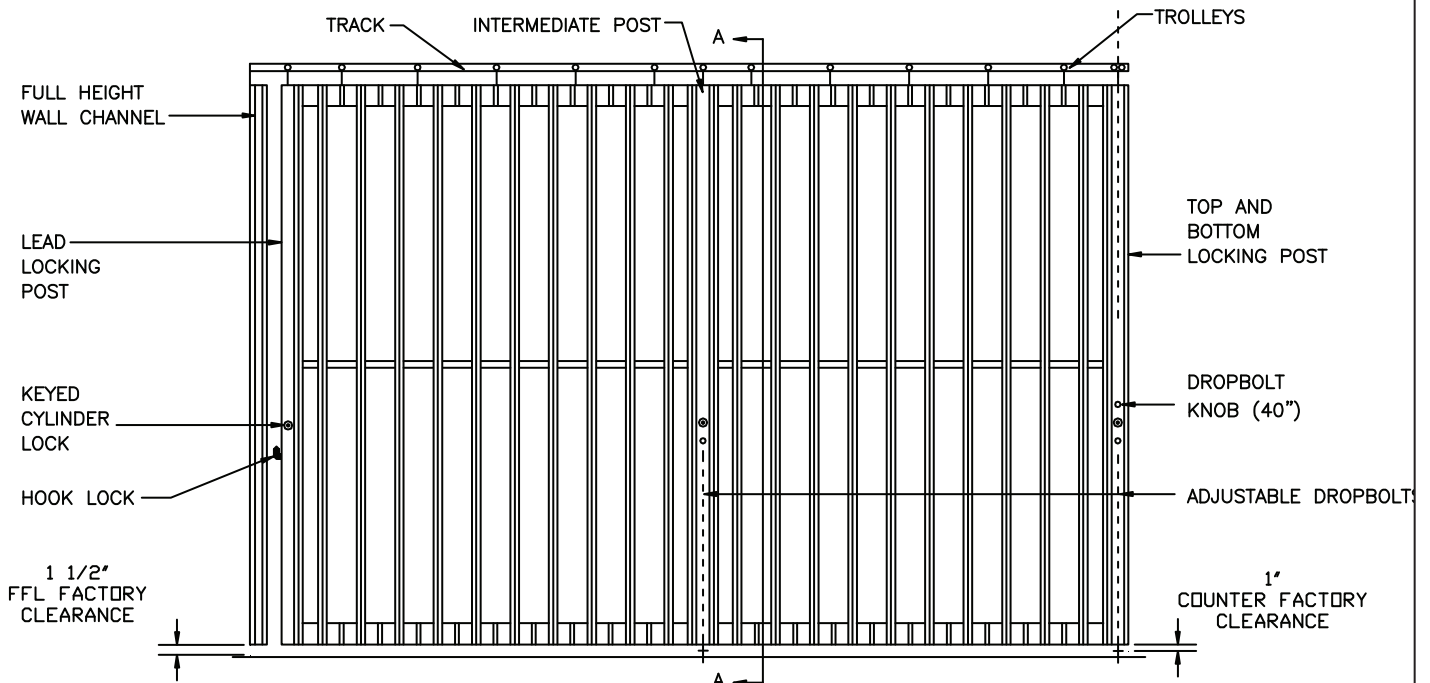


Model 860 - ALUMI-PANEL - Aluminum Panel Grille

Model 870 - ALUMI-PLEX - Polycarbonate Panel Grille

Model 880 - ALUMI-GUARD - Heavy Duty Open Style Grille

Model 890 - ALUMI-AIR - Perforated Panel Grille





Advanced Door Technologies
34 North Crystal Street
East Stroudsburg, PA 18301
(570) 421-5929

SIDE FOLDING GRILLE PRODUCT DATA SPEC SHEET

Model 850 and Model 880 – Open Rod Grille

CURTAIN: Shall incorporate minimum 4" high bottom plates of truss like clear anodized aluminum and 5 1/4" high top plates to frame each 6 5/16" wide panel. Curtain plates shall be constructed of 1/8" X 5/8" X 6" horizontal clear anodized aluminum links spaced 12" apart that slide into 5/16" vertical rods 3 1/2" on center. Links shall be held in place by 1/2" clear anodized aluminum spacer tubes on alternate rods. For model 880 - Guardian curtain plates shall be constructed of individual panels interlocked by full height hinge members.

Model 870 – Polycarbonate Panel Grille

CURTAIN: Shall incorporate minimum 4" high bottom plates of truss like aluminum and 5 1/4" high top plates to frame each standard 6 5/16" wide panel. The curtain shall be glazed with 1/8" thick, self-extinguishing polycarbonate with a viewable area width of standard 4 3/4" or wide-body 8 7/8". Polycarbonate panels shall be cushioned with specially designed vinyl compression gaskets at top and bottom of glazing.

Model 890 – Perforated Panel Grille

CURTAIN: Shall incorporate minimum 4" high bottom plates of truss like aluminum and 5 1/4" high top plates to frame each standard 6 5/16" wide panel. Curtain shall contain 18 gauge 3/16" perforated steel panels to allow 51% visibility. Panels shall be Duracron™ finished to match color selection.

Model 860 – Aluminum Panel Grille

CURTAIN: Shall incorporate bottom plates of truss like aluminum and top plates to frame each standard 6 5/16" wide full height aluminum panels.

FINISH: Factory finish shall be clear anodized.

TRACK: Track shall be heavy extruded aluminum 1 3/8" wide by 1 3/4" high. Curves shall be 90, 120, 135 and 150 degrees and shall have a 10" or 14" radius. (Consult factory for special curves.)

LOCKING:

Lead post shall conceal a hook bolt lock activated by a keyed cylinder or thumb turn, engaging a full height wall channel. Where required, a top and bottom spring loaded locking post with interior thumb turn and protection or keyed cylinder and dustproof floor sockets for all drop bolts. The edge of locking post shall have a rubber bumper.

Intermediate posts shall be provided for every 10' maximum (countertop mounted, 6' maximum) of curtain length and at each curve. Intermediate posts shall contain an adjustable concealed spring loaded drop bolt with cylinder locks keyed alike. Dustproof floor sockets shall be provided for all drop bolts.

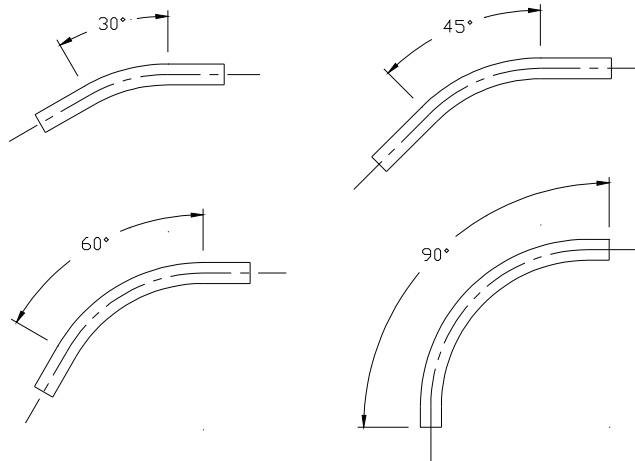
Traveling end post shall have an attached full height protection plate and shall be self locking into a steel V-stop. End post shall be fixable to a wall when stacked in the opening. (Top and bottom locking posts.)



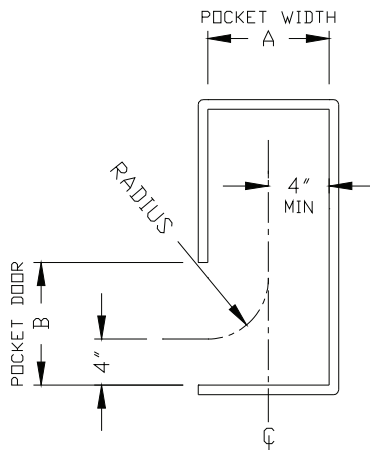
Advanced Door Technologies
 34 North Crystal Street
 East Stroudsburg, PA 18301
 (570) 421-5929

Curve Details

Note: Special radius curves are available only with a template supplied.
 Curves cannot be smaller than 90°. Double 3/4" ply wood eliminates problem blocking of curved layouts.



Right Angle Pocket Specifications



Radius 10"	
"A" Pocket Width	"B" Pocket Door Width
8"	14"
9"	10 3/4"
10"	9 1/2"
11"	8 3/4"
12"	8 1/4"
13"	8"

Radius 14"	
"A" Pocket Width	"B" Pocket Door Width
8"	18"
9"	13 3/4"
10"	12"
11"	11"
12"	10"
13"	9 3/4"
14"	8 3/4"
15"	8 1/2"
16"	8 1/4"

Stacking Dimensions

Note: The maximum space between locking posts is 10' for full height doors, 6'-0" on standard counter height and at center of every curve.

Standard: 1 3/16" per linear foot plus posts. Min. clear pocket width - 8". Add 3" per stack per locking post.

Curtain Width	Stack Clearance
8'-0"	2'-0"
10'-0"	2'-7"
12'-0"	3'-0"
14'-0"	3'-4"
16'-0"	3'-8"
18'-0"	4'-0"
20'-0"	4'-5"
25'-0"	6'-0"
30'-0"	6'-8"
35'-0"	7'-8"
40'-0"	8'-8"

Curtain Weight Calculation

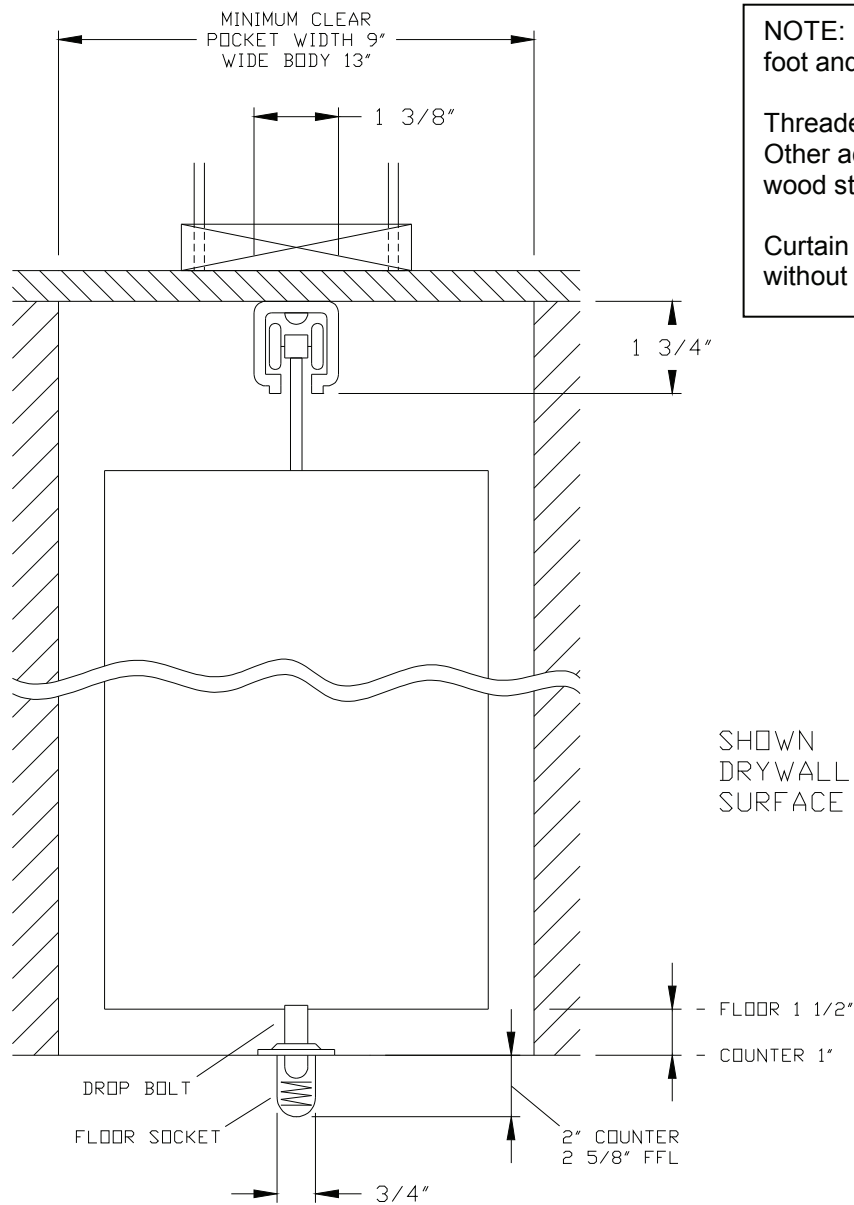
Model	Type	Lbs per sq foot across opening
850	Open Rod Grille	1.5
870	Polycarbonate Panel	2.5
890	Perforated Panel	3
860	Alum Solid Panel	3

Note: When calculating support at storage stack, calculate entire load.



Advanced Door Technologies
34 North Crystal Street
East Stroudsburg, PA 18301
(570) 421-5929

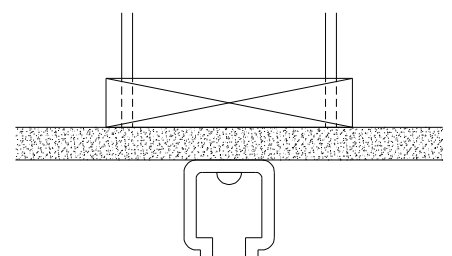
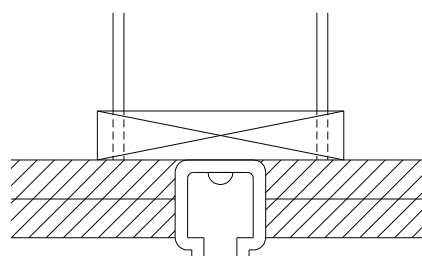
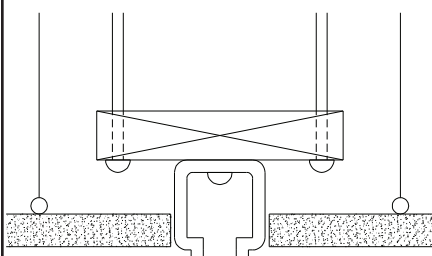
STRUCTURAL MOUNTS



NOTE: Load requirements are 3 lbs per square foot and 200 lbs per linear foot stacked.

Threaded rod 1/2" with 2" X 6" wood stud shown. Other acceptable mounts include 2" X 4" steel or wood stud. A column is not required for support.

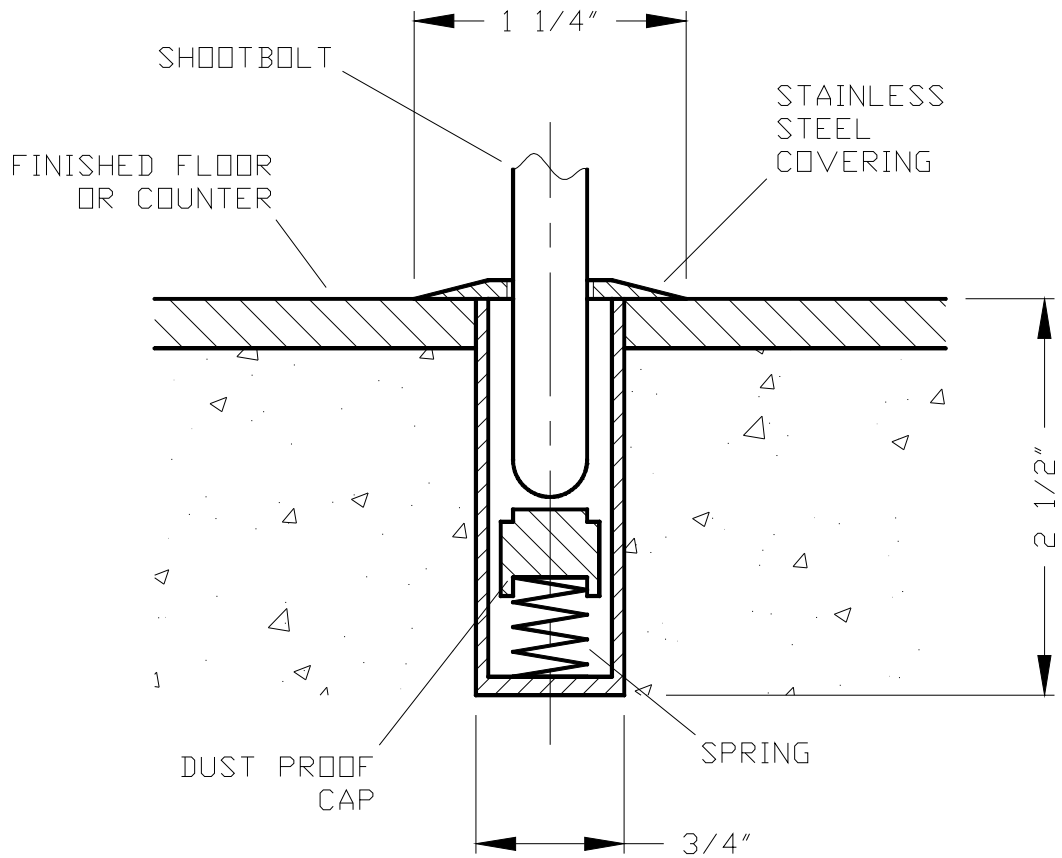
Curtain height is adjustable up to 1" up or down without removal.





Advanced Door Technologies
34 North Crystal Street
East Stroudsburg, PA 18301
(570) 421-5929

FLOOR – COUNTER DUST PROOF SOCKET





Advanced Door Technologies
34 North Crystal Street
East Stroudsburg, PA 18301
(570) 421-5929

ISOMETRIC VIEW – MODEL 860-870-880-890

